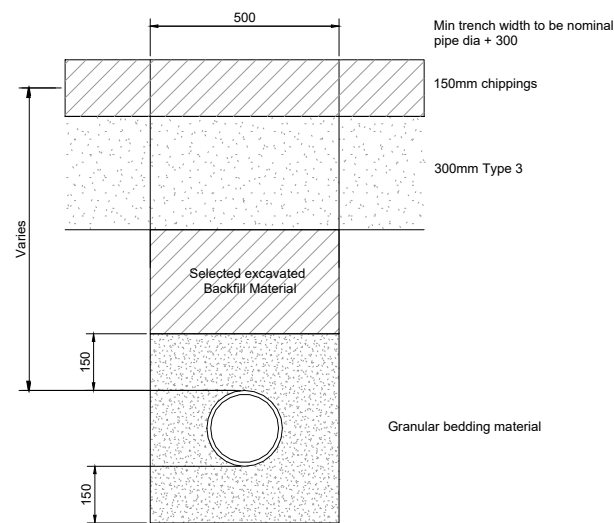
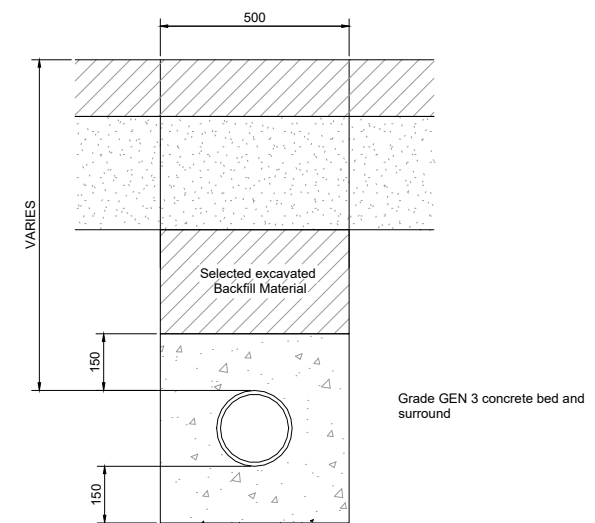


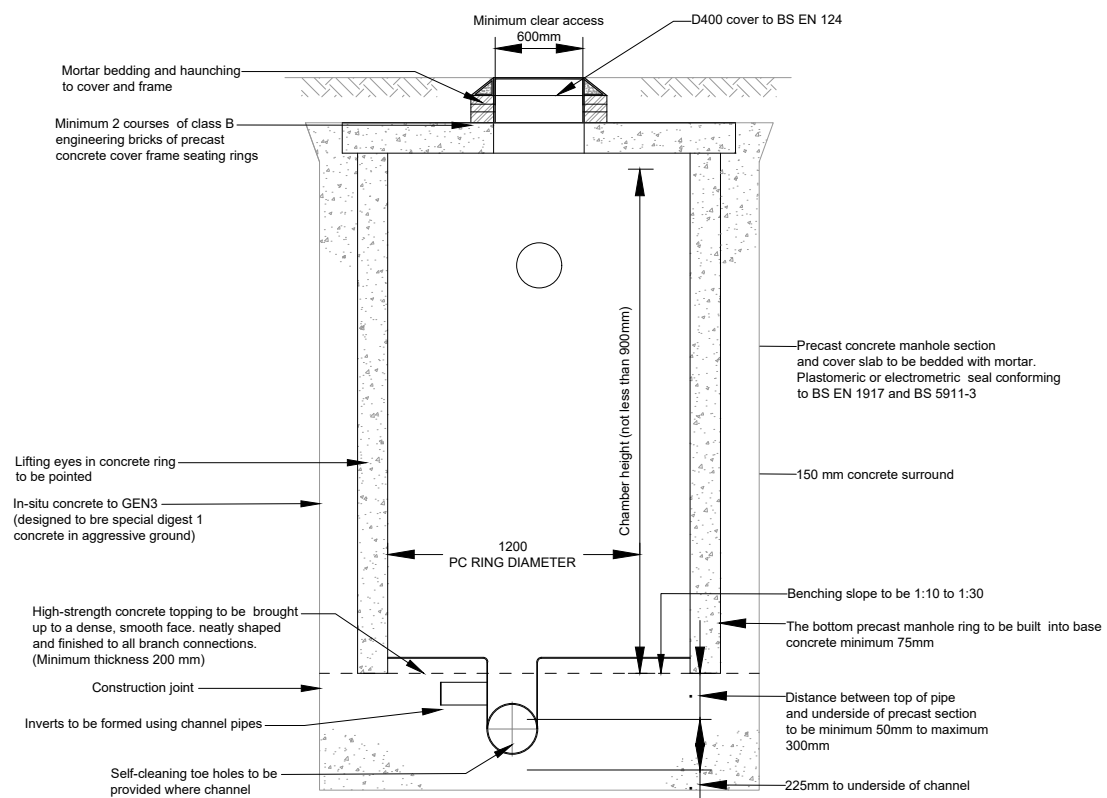
MAXIMUM DEPTH FOR COVER LEVEL TO SOFFIT OF PIPE 3.0M
SCALE 1:50



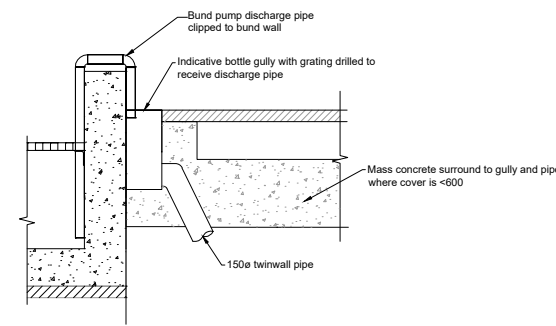
TYPICAL TWINWALL PIPE BEDDING
Scale 1:20



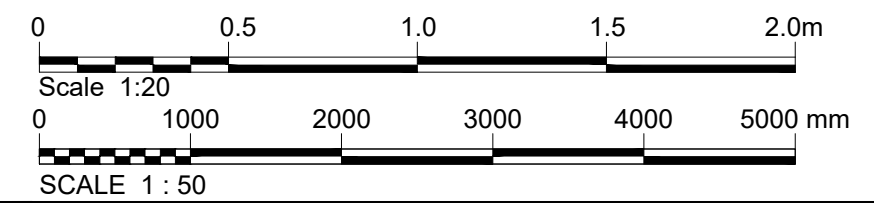
CONCRETE SURROUND TWINWALL PIPE BEDDING
Scale 1:20



SECTION 1-1
TYPICAL MANHOLE DETAIL
SCALE 1:50



GULLY PIT
Scale 1:50



- NOTES**
- For planning purposes only.
 - The drawing shall be read in conjunction with all other drawings, reports and specifications.
 - All dimensions in millimetres unless otherwise noted.
 - Do not scale off this drawing. Use figured dimensions only and contact the Clients Representative where any clarification is required.
 - Where levels are shown, all levels are in metres above Malin Head datum.

REFERENCE DRAWINGS

32108AJ-JAC-ZZ-XX-DR-D-1615	Belcamp Drainage Layout Plan
-----------------------------	------------------------------

Rev	Rev. Date	Purpose of revision	Orig	Check'd	Rev'd	Appr'd
P02	30/01/23	Issued for planning	OS	DH	Hgr/Enr/ck	GS
P01	25/07/23	Issued for planning	OS	DH	Hgr/Enr/ck	FL

Jacobs
Merion House, Merion Road, Dublin, D04R2C5, Ireland
Phone: +353 (0)1 269 5666 Fax: +353 (0)1 269 5497
www.jacobs.com

Client
EirGrid

Project
EAST MEATH NORTH DUBLIN GRID UPGRADE

Drawing title
DRAINAGE PROPOSED DETAILS

Drawing status
Fit for Information

Suitability
S2

Scale
AS SHOWN@A3 DO NOT SCALE

Jacobs No.
321084AJ

Client No.
CP1021

Drawing number
321084AJ-JAC-ZZ-XX-DR-D-0001

Rev
P02

C:\pwworking\jacobs\uk_water\utilities_ssa\jgimt_gunaseg\dms64858\321084AJ-JAC-ZZ-XX-DR-D-0001.dwg - 2/22/2024 6:10:50 PM - A3 - GUNASEG